

General description

It enables to control an installation from any PC connected to the internet with any browser through Ingenium server or using an iOS, Android or Google Home (either locally or remotely).



Capacity

This device has 2 BUSing connections and 1 Ethernet port (10 Mbit/sec). Programming through net using a specific tool "Ingenium Tracker" to previously configure network parameters. SIDE is required to upload the project.

ETHBUS3 supports up to 100 control drawings and up to 100 scenes.

Aspects of functionality:

- Wi-Fi Connectivity
- Software Update
- Increased number of simultaneous connections
- Increased speed in processing information

Technical information

Supply – 230 Vac and 9 - 16 Vdc (BUS)

Consumption – 2,8 VA (BUS)

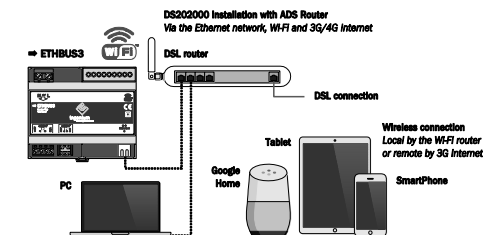
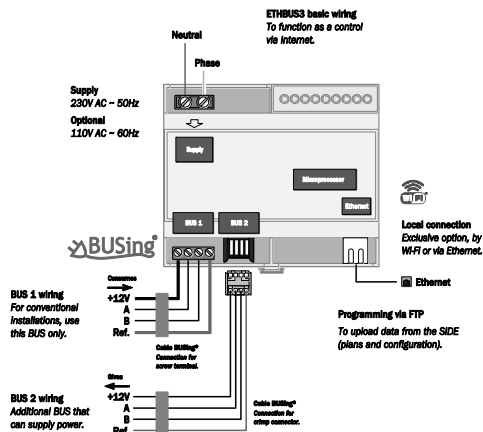
Connection – Ethernet port 10 Mb/s and Wi-Fi.

Mounting– DIN rail (6 modules).

Environment temperature range - Operation: from -10°C to 55°C / Storage: from -30°C to 60°C / Transportation: from -30°C to 60°C.

Regulation - According to the directives of electromagnetic compatibility and low voltage •EN 50090-2-2 / UNE-EN 61000-6-3:2007 / UNE-EN 61000-6-1:2007 / UNE-EN 61010-1. Connection type: to the BUS with T connector and crimp connectors. Resistance against residual current CTI 175. Complementary characteristics L Class. Continuous operation. Clean environment. Category of overvoltage immunity II. Category of inflammability D.

Installation



Remarks

BUS maximum distance between each device: 300m.

Attention to supply (losses in the cable).

Feed low voltage lines (BUS and inputs) in separate ducting to that of power (230V) and outputs.

Use flexible shielded 4 wires x 0,22mm² cable or 2 wires x 0,5mm² + 2wires x 0,22mm² for the BUS.

More info

